

CURRENT SENSOR

PRODUCT SERIES: SFG-X.XP/N1

PRODUCT PART NUMBER: SFG-0.3P/N1, SFG-0.6P/N1, SFG-1.0P/N1,
SFG-1.5P/N1, SFG-2.0P/N1, SFG-3.0P/N1,
SFG-5.0P/N1

Version: Ver1.1



CONTENT

1.	Description	2
2.	Absolute parameter: SFG-P/N1	3
3.	Electrical data: SFG-0.3P/N1	4
4.	Electrical data: SFG-0.6P/N1	5
5.	Electrical data: SFG-1.0P/N1	6
6.	Electrical data: SFG-1.5P/N1	7
7.	Electrical data: SFG-2.0P/N1	8
8.	Electrical data: SFG-3.0P/N1	9
9.	Electrical data: SFG-5.0P/N1	10
10.	SFG- P/N1 Dimensions	11

1. Description

Features

- Closed loop (compensated) current transducer
- Voltage output
- Insulation voltage for 5 kVAC
- Single supply voltage
- PCB mounting.

Advantages

- High accuracy
- High overload capability
- High insulation capability
- High separation ability
- Low temperature drift
- Degauss and test functions

Applications

- Residual current measurement
- Leakage current measurement in PV inverters
- First human contact protection of PV arrays
- Failure detection in power sources
- Leakage current detection in stacked DC sources
- Communication power

2. Absolute parameter: SFG-P/N1

Absolute maximum ratings

Parameter	Symbol	Unit	Value
Maximum Supply voltage	$V_{C\ max}$	V	7
Maximum Primary conductor temperature	$T_{B\ max}$	°C	110
Maximum overload capability (100 μ s, 500 A/ μ s)	$\hat{I}_{P\ max}$	A	3300

Ratings

Parameter	Symbol	Unit	Value
Primary involved potential		V AC/DC	600
Max surrounding air temperature	T_A	°C	105
Secondary supply voltage	U_C	V DC	5
Output voltage	V_{out}	V	0 to 5

Isolation parameters

Parameter	Symbol	Unit	Value	Remark
RMS voltage for AC test 50 Hz/1 min	V_d	kV	5	
Impulse withstand voltage 1.2/50 μ s	V_w	kV	10.1	
Clearance distance (pri. –sec.)	d_{Cl}	mm	11	Shortest distance through air
Creepage distance (pri. –sec.)	d_{Cp}	mm	11	Shortest path along device body
Comparative tracking index	CTI	V	600	
Application example	-	V	600	Reinforced insulation, CAT III, PD2 non uniform field
Application example	-	V	1000	Basic insulation, CAT III, PD2 non uniform field

Environmental and mechanical characteristics

Parameter	Symbol	Unit	Min	Typ	Max	Comment
Ambient operating temperature	T_A	°C	-40		105	
Ambient storage temperature	T_S	°C	-40		105	
Mass	m	g		50		
standard	EN 50178, IEC 61010, UL 508					

3. Electrical data: SFG-0.3P/N1

At $T_A = 25\text{ }^\circ\text{C}$, $V_C = 5\text{ V}$.

Parameters	Symbol	Unit	Min	Typ	Max	Remark
Primary nominal residual rms current	I_{PN}	A		0.3		
Primary residual current, measuring range	I_{PM}	A	-0.5		0.5	
Supply voltage	V_C	V	4.75	5	5.25	
Current consumption	I_C	mA		17.5	21.6	$I_P(\text{mA}) / N_a$ $N_a = 1000\text{ turns}$ - $40\text{ }^\circ\text{C} \dots 105\text{ }^\circ\text{C}$
Output voltage referred to V_{ref} (Test current)	V_{out}	V	0.7	1.2	1.7	
Reference voltage @ $I_P = 0$	V_{ref}	V	2.495	2.5	2.505	Internal reference
External reference voltage	V_{REF}	V	2.3		4	Internal reference of V_{ref} input = $499\ \Omega$
Electrical offset current referred to primary	I_{OE}	mA	-24	7	24	
Temperature coefficient of VOE @ $I_P = 0$	TCV_{OE}	ppm/K			± 570	ppm/K of 2.5 V - $40 \dots 105\text{ }^\circ\text{C}$
Theoretical sensitivity	G_{th}	V/A		4		
Sensitivity error	ϵ_G	%	-1.6	0.5	1.6	$R_L > 500\text{ k}\Omega$
Temperature coefficient of G	TCG	ppm/K			± 400	- $40\text{ }^\circ\text{C} \dots 105\text{ }^\circ\text{C}$
Linearity error	ϵ_L	%		0.5	1	
Number of turns (test winding)	N_T			20		$R_L > 500\text{ k}\Omega$, $di/dt > 5\text{ A}/\mu\text{s}$
Reaction time @ 10 % of I_{PRN}	t_{ra}	μs		7		$R_L > 500\text{ k}\Omega$, $di/dt > 5\text{ A}/\mu\text{s}$
Step response time to 90 % of I_{PN}	t_r	μs		50		$R_L > 500\text{ k}\Omega$, $di/dt > 5\text{ A}/\mu\text{s}$
Frequency bandwidth (-3dB)	BW	kHz		15		$R_L > 500\text{ k}\Omega$
Noise(1 Hz ~ 10 kHz)	V_{no}	mV rms		10		$R_L > 500\text{ k}\Omega$
Accuracy@ I_{PN} @ $T_A = 25\text{ }^\circ\text{C}$	$X_{25\text{ }^\circ\text{C}}$	% of I_{PN}		± 1.9		
Accuracy@ I_{PN} @ $T_A = 105\text{ }^\circ\text{C}$	$X_{105\text{ }^\circ\text{C}}$	% of I_{PN}		± 3.2		

4. Electrical data: SFG-0.6P/N1

At $T_A = 25\text{ }^\circ\text{C}$, $V_C = 5\text{ V}$.

Parameters	Symbol	Unit	Min	Typ	Max	Remark
Primary nominal residual rms current	I_{PN}	A		0.6		
Primary residual current, measuring range	I_{PM}	A	-0.85		0.85	
Supply voltage	V_C	V	4.75	5	5.25	
Current consumption	I_C	mA		17.5	21.6	$I_P(\text{mA}) / N_a$ $N_a = 1000\text{ turns}$ - $40\text{ }^\circ\text{C} \dots 105\text{ }^\circ\text{C}$
Output voltage referred to V_{ref} (Test current)	V_{out}	V	0.4	0.75	1.1	
Reference voltage @ $I_P = 0$	V_{ref}	V	2.495	2.5	2.505	Internal reference
External reference voltage	V_{REF}	V	2.3		4	Internal reference of V_{ref} input = $499\ \Omega$
Electrical offset current referred to primary	I_{OE}	mA	-24	4.2	24	
Temperature coefficient of VOE @ $I_P = 0$	TCV_{OE}	ppm/K			± 520	ppm/K of 2.5 V - $40 \dots 105\text{ }^\circ\text{C}$
Theoretical sensitivity	G_{th}	V/A		2.476		
Sensitivity error	ϵ_G	%	-0.7	0.5	0.7	$R_L > 500\text{ k}\Omega$
Temperature coefficient of G	TCG	ppm/K			± 100	- $40\text{ }^\circ\text{C} \dots 105\text{ }^\circ\text{C}$
Linearity error	ϵ_L	%		0.4	1.3	
Number of turns (test winding)	N_T			20		$R_L > 500\text{ k}\Omega$, $di/dt > 5\text{ A}/\mu\text{s}$
Reaction time @ 10 % of I_{PRN}	t_{ra}	μs		5		$R_L > 500\text{ k}\Omega$, $di/dt > 5\text{ A}/\mu\text{s}$
Step response time to 90 % of I_{PN}	t_r	μs		30		$R_L > 500\text{ k}\Omega$, $di/dt > 5\text{ A}/\mu\text{s}$
Frequency bandwidth (-3dB)	BW	kHz		15		$R_L > 500\text{ k}\Omega$
Noise(1 Hz ~ 10 kHz)	V_{no}	mV rms		10		$R_L > 500\text{ k}\Omega$
Accuracy@ I_{PN} @ $T_A = 25\text{ }^\circ\text{C}$	$X_{25\text{ }^\circ\text{C}}$	% of I_{PN}		± 1.9		
Accuracy@ I_{PN} @ $T_A = 105\text{ }^\circ\text{C}$	$X_{105\text{ }^\circ\text{C}}$	% of I_{PN}		± 3.2		

5. Electrical data: SFG-1.0P/N1

At $T_A = 25\text{ }^\circ\text{C}$, $V_C = 5\text{ V}$.

Parameters	Symbol	Unit	Min	Typ	Max	Remark
Primary nominal residual rms current	I_{PN}	A		1		
Primary residual current, measuring range	I_{PM}	A	-1.7		1.7	
Supply voltage	V_C	V	4.75	5	5.25	
Current consumption	I_C	mA		17.5	21.6	$I_P(\text{mA}) / N_a$ $N_a = 1000\text{ turns}$ - $40\text{ }^\circ\text{C} \dots 105\text{ }^\circ\text{C}$
Output voltage referred to V_{ref} (Test current)	V_{out}	V	0.2	0.35	0.5	
Reference voltage @ $I_P = 0$	V_{ref}	V	2.495	2.5	2.505	Internal reference
External reference voltage	V_{REF}	V	2.3		4	Internal reference of V_{ref} input = $499\ \Omega$
Electrical offset current referred to primary	I_{OE}	mA	-24	7	24	
Temperature coefficient of VOE @ $I_P = 0$	TCV_{OE}	ppm/K		± 50	± 500	ppm/K of 2.5 V - $40 \dots 105\text{ }^\circ\text{C}$
Theoretical sensitivity	G_{th}	V/A		1.2		
Sensitivity error	ϵ_G	%	-1.6	0.5	1.6	$R_L > 500\text{ k}\Omega$
Temperature coefficient of G	TCG	ppm/K			± 400	- $40\text{ }^\circ\text{C} \dots 105\text{ }^\circ\text{C}$
Linearity error	ϵ_L	%		0.5	1	
Number of turns (test winding)	N_T			20		$R_L > 500\text{ k}\Omega$, $di/dt > 5\text{ A}/\mu\text{s}$
Reaction time @ 10 % of I_{PRN}	t_{ra}	μs		7		$R_L > 500\text{ k}\Omega$, $di/dt > 5\text{ A}/\mu\text{s}$
Step response time to 90 % of I_{PN}	t_r	μs		50		$R_L > 500\text{ k}\Omega$, $di/dt > 5\text{ A}/\mu\text{s}$
Frequency bandwidth (-3dB)	BW	kHz		15		$R_L > 500\text{ k}\Omega$
Noise(1 Hz ~ 10 kHz)	V_{no}	mV rms		10		$R_L > 500\text{ k}\Omega$
Accuracy@ I_{PN} @ $T_A = 25\text{ }^\circ\text{C}$	$X_{25\text{ }^\circ\text{C}}$	% of I_{PN}		± 1.9		
Accuracy@ I_{PN} @ $T_A = 105\text{ }^\circ\text{C}$	$X_{105\text{ }^\circ\text{C}}$	% of I_{PN}		± 3.2		

6. Electrical data: SFG-1.5P/N1

At $T_A = 25\text{ }^\circ\text{C}$, $V_C = 5\text{ V}$.

Parameters	Symbol	Unit	Min	Typ	Max	Remark
Primary nominal residual rms current	I_{PN}	A		1.5		
Primary residual current, measuring range	I_{PM}	A	-2		2	
Supply voltage	V_C	V	4.75	5	5.5	
Current consumption	I_C	mA		17.5	21.6	$I_P(\text{mA}) / N_a$ $N_a = 1000\text{ turns}$ - $40\text{ }^\circ\text{C} \dots 105\text{ }^\circ\text{C}$
Output voltage referred to V_{ref} (Test current)	V_{out}	V	0.12		0.5	
Reference voltage @ $I_P = 0$	V_{ref}	V	2.495	2.5	2.505	Internal reference
External reference voltage	V_{REF}	V	2.3		4	Internal reference of V_{ref} input = $499\text{ }\Omega$
Electrical offset current referred to primary	I_{OE}	mA	-30	4.2	30	
Temperature coefficient of VOE @ $I_P = 0$	TCV_{OE}	ppm/K			± 570	ppm/K of 2.5 V - $40 \dots 105\text{ }^\circ\text{C}$
Theoretical sensitivity	G_{th}	V/A		0.8		
Sensitivity error	ϵ_G	%	-1.6	0.5	1.6	$R_L > 500\text{ k}\Omega$
Temperature coefficient of G	TCG	ppm/K			± 400	- $40\text{ }^\circ\text{C} \dots 105\text{ }^\circ\text{C}$
Linearity error	ϵ_L	%		0.5	1	
Number of turns (test winding)	N_T			20		$R_L > 500\text{ k}\Omega$, $di/dt > 5\text{ A}/\mu\text{s}$
Reaction time @ 10 % of I_{PRN}	t_{ra}	μs		5		$R_L > 500\text{ k}\Omega$, $di/dt > 5\text{ A}/\mu\text{s}$
Step response time to 90 % of I_{PN}	t_r	μs		50		$R_L > 500\text{ k}\Omega$, $di/dt > 5\text{ A}/\mu\text{s}$
Frequency bandwidth (-3dB)	BW	kHz		15		$R_L > 500\text{ k}\Omega$
Noise(1 Hz ~ 10 kHz)	V_{no}	mV rms		10		$R_L > 500\text{ k}\Omega$
Accuracy@ I_{PN} @ $T_A = 25\text{ }^\circ\text{C}$	X_{25c}	% of I_{PN}		± 1.9		
Accuracy@ I_{PN} @ $T_A = 105\text{ }^\circ\text{C}$	X_{105c}	% of I_{PN}		± 3.2		

7. Electrical data: SFG-2.0P/N1

At $T_A = 25\text{ }^\circ\text{C}$, $V_C = 5\text{ V}$.

Parameters	Symbol	Unit	Min	Typ	Max	Remark
Primary nominal residual rms current	I_{PN}	A		2.0		
Primary residual current, measuring range	I_{PM}	A	-3.0		3.0	
Supply voltage	V_C	V	4.75	5	5.5	
Current consumption	I_C	mA		17.5	21.6	$I_P(\text{mA}) / N_a$ $N_a = 1000$ turns - $40\text{ }^\circ\text{C} \dots 105\text{ }^\circ\text{C}$
Reference voltage @ $I_P = 0$	V_{ref}	V	2.495	2.5	2.505	Internal reference
External reference voltage	V_{REF}	V	2.3		4	Internal reference of V_{ref} input = $499\ \Omega$
Electrical offset current referred to primary	I_{OE}	mA	-24	7	24	
Temperature coefficient of VOE @ $I_P = 0$	TCV_{OE}	ppm/K			± 570	ppm/K of 2.5 V - $40 \dots 105\text{ }^\circ\text{C}$
Theoretical sensitivity	G_{th}	V/A		0.66		
Sensitivity error	ϵ_G	%	-1.6	0.5	1.6	$R_L > 500\text{ k}\Omega$
Temperature coefficient of G	TCG	ppm/K		± 400		- $40\text{ }^\circ\text{C} \dots 105\text{ }^\circ\text{C}$
Linearity error	ϵ_L	%		0.5	1	
Number of turns (test winding)	N_T			20		$R_L > 500\text{ k}\Omega$, $di/dt > 5\text{ A}/\mu\text{s}$
Reaction time @ 10 % of I_{PRN}	t_{ra}	μs		5		$R_L > 500\text{ k}\Omega$, $di/dt > 5\text{ A}/\mu\text{s}$
Step response time to 90 % of I_{PN}	t_r	μs		50		$R_L > 500\text{ k}\Omega$, $di/dt > 5\text{ A}/\mu\text{s}$
Frequency bandwidth (-3dB)	BW	kHz		15		$R_L > 500\text{ k}\Omega$
Noise(1 Hz ~ 10 kHz)	V_{no}	mV rms		5		$R_L > 500\text{ k}\Omega$
Accuracy@ I_{PN} @ $T_A = 25\text{ }^\circ\text{C}$	X_{25c}	% of I_{PN}		± 1.9		
Accuracy@ I_{PN} @ $T_A = 105\text{ }^\circ\text{C}$	X_{105c}	% of I_{PN}		± 3.2		

8. Electrical data: SFG-3.0P/N1

At $T_A = 25\text{ }^\circ\text{C}$, $V_C = 5\text{ V}$.

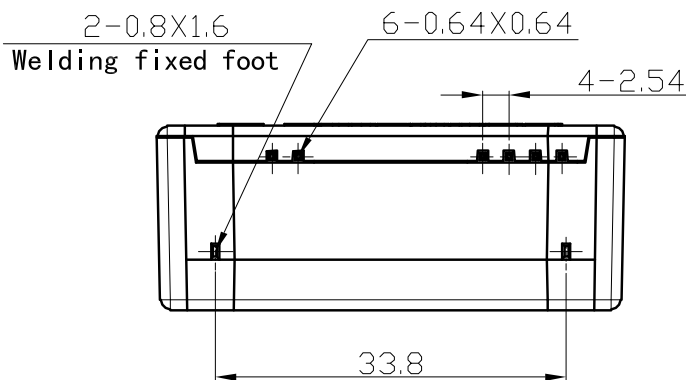
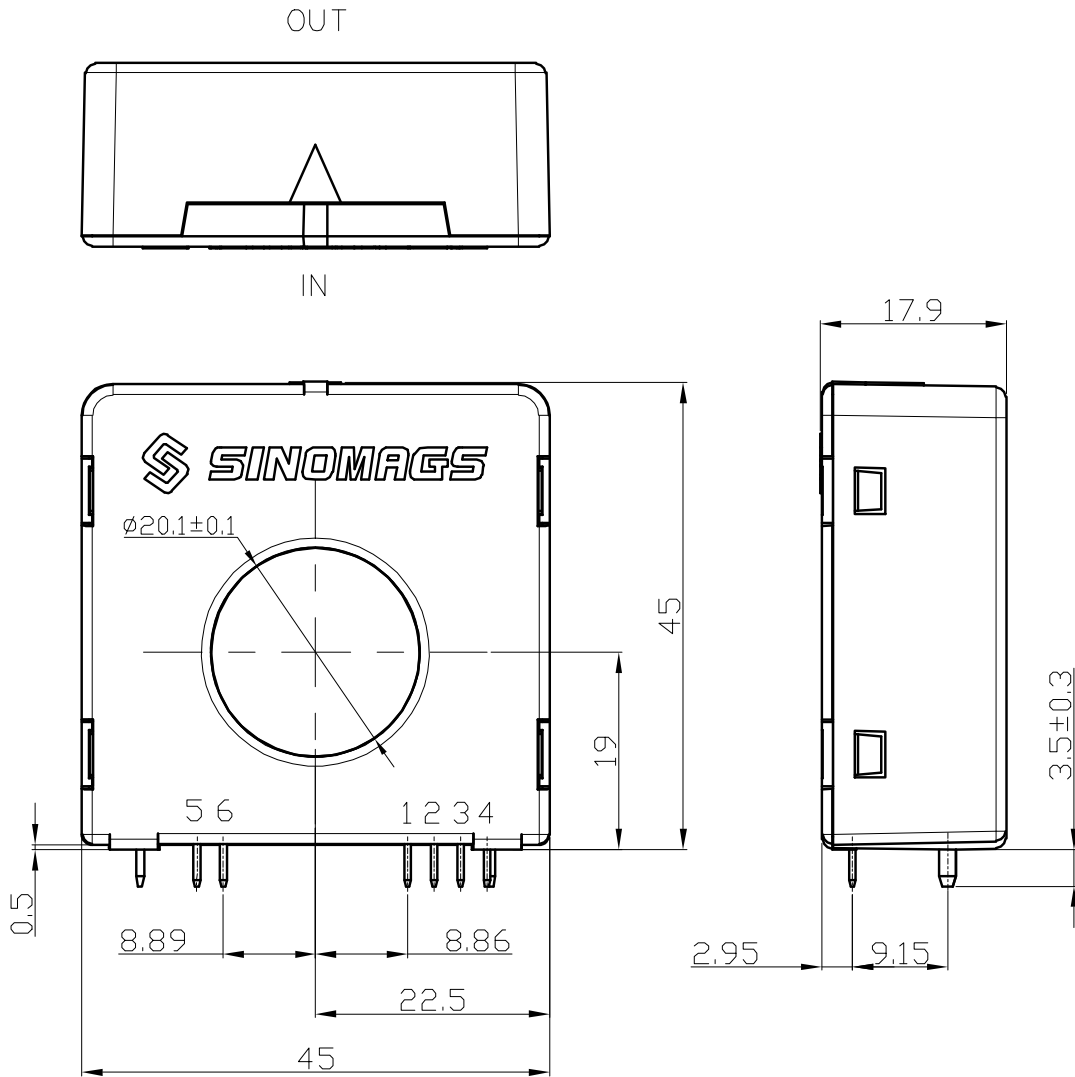
Parameters	Symbol	Unit	Min	Typ	Max	Remark
Primary nominal residual rms current	I_{PN}	A		3.0		
Primary residual current, measuring range	I_{PM}	A	-5		5	
Supply voltage	V_C	V	4.75	5	5.5	
Current consumption	I_C	mA		17.5	21.6	$I_P(\text{mA}) / N_a$ $N_a = 1000$ turns - $40\text{ }^\circ\text{C} \dots 105\text{ }^\circ\text{C}$
Reference voltage @ $I_P = 0$	V_{ref}	V	2.495	2.5	2.505	Internal reference
External reference voltage	V_{REF}	V	2.3		4	Internal reference of V_{ref} input = $499\ \Omega$
Electrical offset current referred to primary	I_{OE}	mA	-24	7	24	
Temperature coefficient of VOE @ $I_P = 0$	TCV_{OE}	ppm/K			± 570	ppm/K of 2.5 V - $40 \dots 105\text{ }^\circ\text{C}$
Theoretical sensitivity	G_{th}	V/A		0.4		
Sensitivity error	ϵ_G	%	-1.6	0.5	1.6	$R_L > 500\text{ k}\Omega$
Temperature coefficient of G	TCG	ppm/K			± 400	- $40\text{ }^\circ\text{C} \dots 105\text{ }^\circ\text{C}$
Linearity error	ϵ_L	%		0.5	1	
Number of turns (test winding)	N_T			20		$R_L > 500\text{ k}\Omega$, $di/dt > 5\text{ A}/\mu\text{s}$
Reaction time @ 10 % of I_{PRN}	t_{ra}	μs		5		$R_L > 500\text{ k}\Omega$, $di/dt > 5\text{ A}/\mu\text{s}$
Step response time to 90 % of I_{PN}	t_r	μs		50		$R_L > 500\text{ k}\Omega$, $di/dt > 5\text{ A}/\mu\text{s}$
Frequency bandwidth (-3dB)	BW	kHz		15		$R_L > 500\text{ k}\Omega$
Noise(1 Hz ~ 10 kHz)	V_{no}	mV rms		10		$R_L > 500\text{ k}\Omega$
Accuracy@ I_{PN} @ $T_A = 25\text{ }^\circ\text{C}$	X_{25c}	% of I_{PN}		± 1.9		
Accuracy@ I_{PN} @ $T_A = 105\text{ }^\circ\text{C}$	X_{105c}	% of I_{PN}		± 3.2		

9. Electrical data: SFG-5.0P/N1

At $T_A = 25\text{ }^\circ\text{C}$, $V_C = 5\text{ V}$.

Parameters	Symbol	Unit	Min	Typ	Max	Remark
Primary nominal residual rms current	I_{PN}	A		5		
Primary residual current, measuring range	I_{PM}	A	-10		10	
Supply voltage	V_C	V	4.75	5	5.5	
Current consumption	I_C	mA		17.5	21.6	$I_P(\text{mA}) / N_a$ $N_a = 1000$ turns - $40\text{ }^\circ\text{C} \dots 105\text{ }^\circ\text{C}$
Reference voltage @ $I_P = 0$	V_{ref}	V	2.495	2.5	2.505	Internal reference
External reference voltage	V_{REF}	V	2.3		4	Internal reference of V_{ref} input = $499\ \Omega$
Electrical offset current referred to primary	I_{OE}	mA	-24	7	24	
Temperature coefficient of VOE @ $I_P = 0$	TCV_{OE}	ppm/K			± 570	ppm/K of 2.5 V - $40 \dots 105\text{ }^\circ\text{C}$
Theoretical sensitivity	G_{th}	V/A		0.2		
Sensitivity error	ϵ_G	%	-1.6	0.5	1.6	$R_L > 500\text{ k}\Omega$
Temperature coefficient of G	TCG	ppm/K		± 400		- $40\text{ }^\circ\text{C} \dots 105\text{ }^\circ\text{C}$
Linearity error	ϵ_L	%		0.5	1	
Number of turns (test winding)	N_T			20		$R_L > 500\text{ k}\Omega$, $di/dt > 5\text{ A}/\mu\text{s}$
Reaction time @ 10 % of I_{PRN}	t_{ra}	μs		5		$R_L > 500\text{ k}\Omega$, $di/dt > 5\text{ A}/\mu\text{s}$
Step response time to 90 % of I_{PN}	t_r	μs		50		$R_L > 500\text{ k}\Omega$, $di/dt > 5\text{ A}/\mu\text{s}$
Frequency bandwidth (-3dB)	BW	kHz		15		$R_L > 500\text{ k}\Omega$
Noise(1 Hz ~ 10 kHz)	V_{no}	mV rms		10		$R_L > 500\text{ k}\Omega$
Accuracy@ I_{PN} @ $T_A = 25\text{ }^\circ\text{C}$	X_{25c}	% of I_{PN}		± 1.9		
Accuracy@ I_{PN} @ $T_A = 105\text{ }^\circ\text{C}$	X_{105c}	% of I_{PN}		± 3.2		

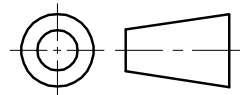
10. SFG- P/N1 Dimensions



Material : Fit UL94V-0 & RoHS requirements ;

General tolerance : ± 0.5

Unit :mm



Terminals:

1	2	3
Vcc	Gnd	Ref
4	5	6
Vout	Test Out	Test In

Assembly on PCB:

- 1、Maximum PCB thickness: 2.4mm;
- 2、Wave soldering profile No Pd process only: maximum 260°C, 10S;